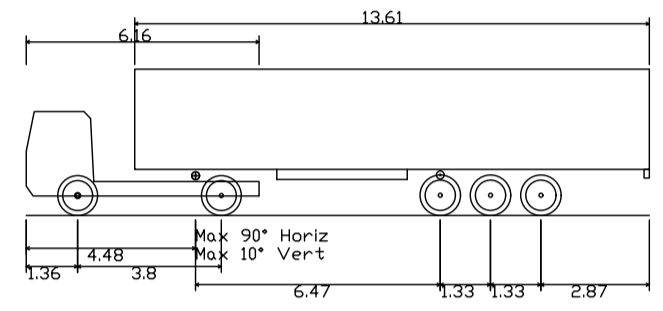
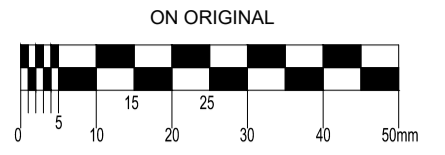


R761 TO BLACKLION MANOR ROAD  
LINK SECTION TYPICAL CROSS SECTION A - A  
SCALE 1:100



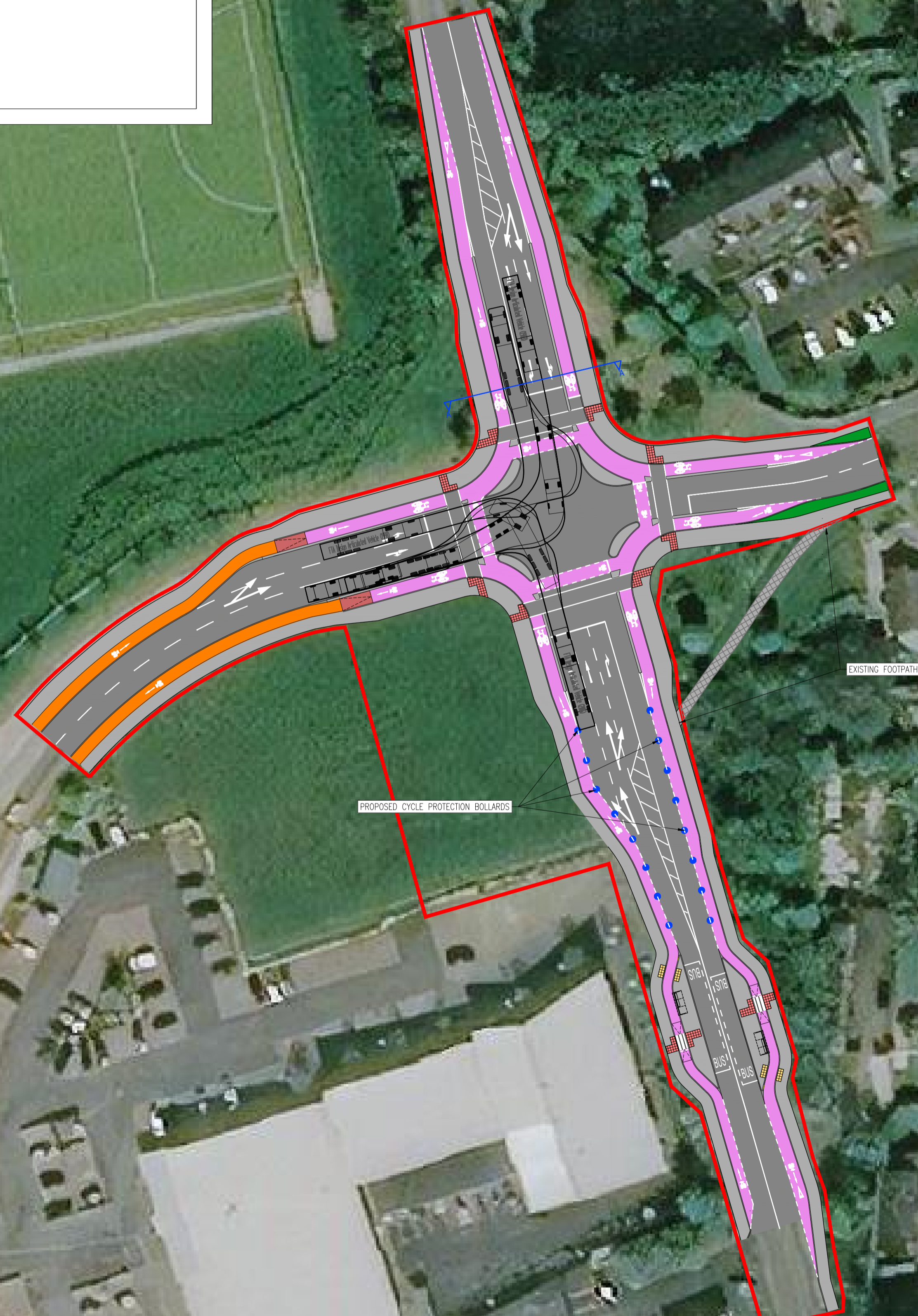
FTA Design Articulated Vehicle (1999)  
 Overall Length 13.610m  
 Overall Width 2.550m  
 Overall Body Height 3.870m  
 Min Body Ground Clearance 0.515m  
 Max Track Width 2.470m  
 Lock-to-lock time 3.00s  
 Curb to Curb Turning Radius 6.550m

© COPYRIGHT OF THIS DRAWING IS RESERVED BY DBFL CONSULTING ENGINEERS. NO PART SHALL BE REPRODUCED OR TRANSMITTED WITHOUT THEIR WRITTEN PERMISSION.



- NOTES:**
1. ALL WORKS TO BE CONSTRUCTED IN ACCORDANCE WITH THE TII SPECIFICATION FOR ROAD WORKS UNLESS OVERRIDDEN BY LOCAL OVERSEEING AUTHORITY'S STANDARDS
  2. ALL ROAD MARKINGS & SIGNS SHALL COMPLY FULLY WITH THE TRAFFIC SIGNS MANUAL PUBLISHED BY THE DEPARTMENT OF TRANSPORT.
  3. SIGNS & MARKINGS: CONTRACTOR TO CONFIRM PRECISE SETTING OUT WITH EMPLOYERS REPRESENTATIVE PRIOR TO COMPLETION.
  4. ALL TRAFFIC MANAGEMENT TO COMPLY FULLY WITH THE PROVISIONS OF CHAPTER 8 OF THE TRAFFIC SIGNS MANUAL
  5. ALL CO-ORDINATES ARE TO IRISH TRANSVERSE MERCATOR.
  6. ALL LEVELS ARE TO ORDNANCE DATUM AND ARE IN METRES
  7. ALL PEDESTRIAN, CYCLE AND VEHICULAR ROUTES MUST BE RETAINED IN ACCORDANCE WITH APPROVED TRAFFIC MANAGEMENT PLAN.

- LEGEND**
- PROPOSED ROAD
  - PROPOSED FOOTPATH
  - EXISTING FOOTPATH TO BE RETAINED
  - PROPOSED CYCLE LANE
  - PROPOSED CYCLE TRACK
  - GRASS VERGE/LANDSCAPED AREA



ORDNANCE SURVEY IRELAND LICENCE  
No EN 0017922  
© ORDNANCE SURVEY IRELAND  
GOVERNMENT OF IRELAND

rev	date	description	by	chkd.
P01	08-12-2020	PRELIMINARY DESIGN ISSUE	OWF	JH
		A - Approved		
		B - Approved with comments		
		C - Do not use		

client approval  
 suitability S2 - INFORMATION issue purpose PRELIMINARY DESIGN ISSUE

**DBFL Consulting Engineers**  
 Civil, Structural & Transportation Engineering  
 www.dbfle.ie  
 DUBLIN OFFICE: Ormond House, Upper Ormond Quay, Dublin 7, D07 W704  
 PHONE +353 1 400 4000  
 CORK OFFICE: Phoenix House, Monahan Road, Cork, T12 H1XV  
 PHONE +353 (0) 21 2024538  
 WATERFORD OFFICE: Suite 10 The Arbut, Marzana Gate, Canada Street, Waterford, X91 W028  
 PHONE +353 51 300 500

project ref. REDFORD PARK  
 drawing title PROTECTED SIGNALISED JUNCTION OPTION A  
 client WICKLOW COUNTY COUNCIL  
 designed by JH author OWF scale 1:500 sheet size A1  
 drawing no. 190092-DBFL-RD-SP-DR-C-1901 revision P01